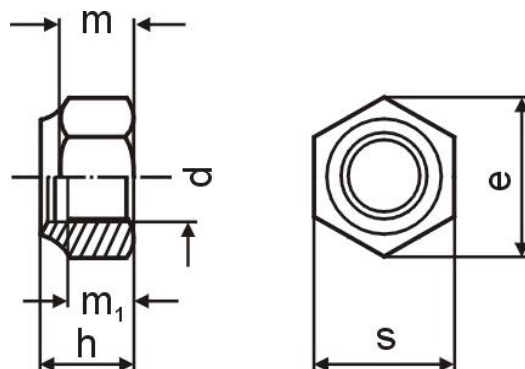


Matice 6hranná POJISTNÁ NEREZ A2



DIN: 985
ČSN: 021492
ISO: 10511



d	m min.	s	h max.	kód Fastek
M2,5	2,30	5	3,5	6P025-A2
M3	2,40	5,5	4,0	6P03-A2
M4	2,90	7	5,0	6P04-A2
M5	3,20	8	5,0	6P05-A2
M6	4,00	10	6,0	6P06-A2
M7	4,70	11	7,5	6P07-A2
M8	5,50	13	8,0	6P08-A2
M10	6,50	17	10,0	6P10-A2
M12	8,00	19	12,0	6P12-A2
M14	9,50	22	14,0	6P14-A2
M16	10,50	24	16,0	6P16-A2
M18	13,00	27	18,5	6P18-A2
M20	14,00	30	20,0	6P20-A2
M22	15,00	32	22,0	6P22-A2
M24	15,00	36	24,0	6P24-A2
M27	17,00	41	27,0	6P27-A2
M30	19,00	46	30,0	6P30-A2
M33	22,00	50	33,0	6P33-A2
M36	25,00	55	36,0	6P36-A2
M39	27,00	60	39,0	6P39-A2
M42	29,00	65	42,0	6P42-A2
M45	32,00	70	45,0	6P45-A2
M48	36,00	75	48,0	6P48-A2